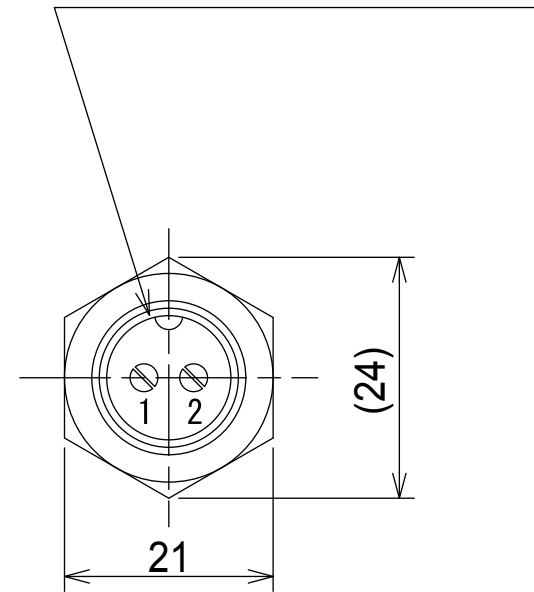


### CONNECTOR (HS12RG-2)

1: SIGNAL  
2: COMMON



Weight: Approx. 90g  
(Unit: mm)

**MP-9100**  
ONOSOKKI