

**ST-022 / ST-044B**

**Using Ono Sokki Gauge Stands**

This gauge stand uses a ceramic measurement base, which provides excellent durability and resistance to wear, and is free from problems of rust and marring, enabling it to be used for a long period with high performance.

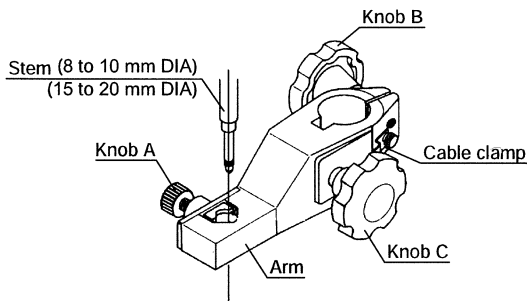
① Applicable stem diameter of linear gauges

- For ST-022 :  $\phi$  8 to  $\phi$  10 mm
- For ST-044B :  $\phi$  15 to  $\phi$  20 mm

To accommodate linear gauges with the stem diameter except the above to the ST-044B, a stand bush may be required.

- AA-891 : For  $\phi$  8 mm stem diameter
- AA-892 : For  $\phi$  10 mm stem diameter

- ② When mounting the linear gauge to or removing it from the stand, use knob A. Remove the gauge while holding it with the hand and loosening knob A.
- ③ When the arm of stand is moved at up and down, hold the arm with the hand, free up the vertical position by loosening knob B and adjust knob C.
- ④ Before using, be sure to wipe dirt, oil, or other impurities from the measurement base, using a soft cloth. The arm support pillar sliding surfaces are highly susceptible to rust and should be coated with grease or machine oil after use to prevent such corrosion. This is particularly important if the stand is not to be used for a long period.
- ⑤ It is recommended that the signal cable from the linear gauge sensor be clamped at the side of the arm.

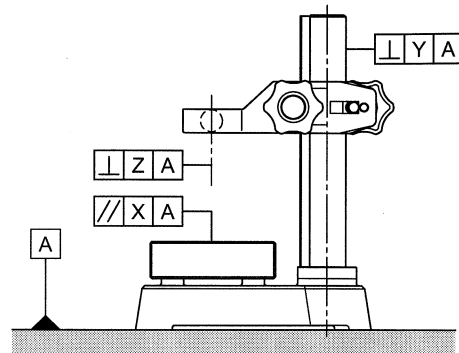


**Warranty**

1. This product is covered by a warranty for a period of one year from the date of purchase.
2. This warranty covers free-of-charge repair for defects judged to be the responsibility of the manufacturer, i.e., defects occurred while the product is used under normal operating conditions according to descriptions in this manual and notices on the unit label.
3. For free-of-charge repair, contact either your sales representative or our sales office nearby.
4. The following failures will be handled on a fee basis even during the warranty period.
  - (a) Failures occurring through misuse, mis-operation, or modification
  - (b) Failures occurring through mishandling (dropping) or transportation
  - (c) Failures occurring through natural calamities (fires, earthquakes, flooding, and lightning), environmental disruption, or abnormal voltage.

\* For repairs after the warranty period expired, contact your sales representative or our sales office nearby.

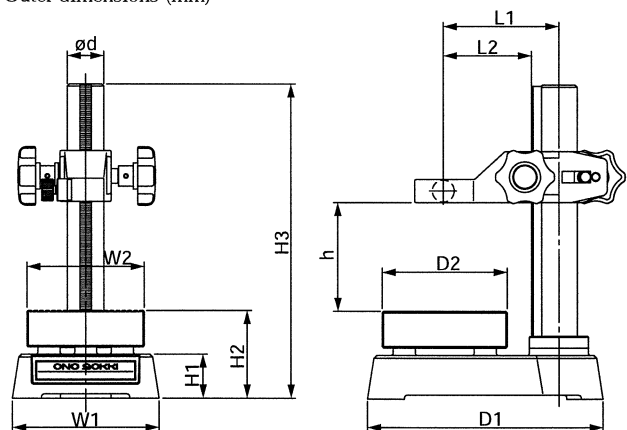
⑥ Accuracy of each portion for : ST-022/ST-044B is as following.



- X : Parallel level between the bottom surface of the base and upper surface of measurement table
- Y : Right angle level between the bottom surface of the base and pole
- Z : Right angle level between bottom surface of base and fixing hole
- XZ : Right angle level between upper surface of measurement table and fixing hole  
(Calculation from the sum of X and Z.)

	ST-022	ST-044B
X	0.05/80mm less than	0.08/100mm less than
Y	0.06/100mm less than	0.20/100mm less than
Z	0.16/100mm less than	0.48/250mm less than
XZ	0.215/100mm less than	0.67/250mm less than

Outer dimensions (mm)



	ST-022	ST-044B
W1	100	130
W2	80	105
D1	160	200
D2	85	105
H1	30	40
H2	60	70
H3	215	327
L1	78.5	95
L2	60	73.5
h	0~115	0~210
ød	ø25	ø30