

Equipped with a memory function

# Digital engine tachometer SE-1200



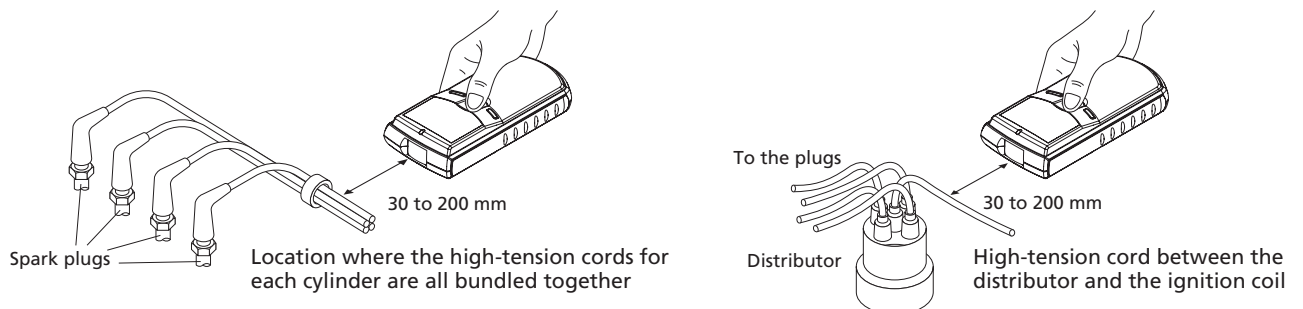
## ● Outline

The SE-1200 is a new-designed appearance of our long-selling digital engine tachometer. Indigo blue in color, it is designed to fit snugly into the palm of your hand. A memory function (10 data) has been added to the original specifications of previous model.

## ● Features

- A large-size LCD device has been incorporated into the compact, lightweight body.
- Easy and safety operation by non-contact measurement.
- Measurement can be performed in 1 r/min resolution covering a wide measurement range.
- The cylinder/cycle settings enable use with various gasoline engines.
- Equipped with a convenient memory function for checking of the measurement results (up to 10 data can be stored in memory.)
- Over-range display function—if the measured value exceeds the measurement range, the maximum value for that range is displayed together with an "ERROR" mark.
- After measurement has been completed, the latest measured value is displayed for approximately 30 seconds.

## ● Measurement Method



# ONOSOKKI

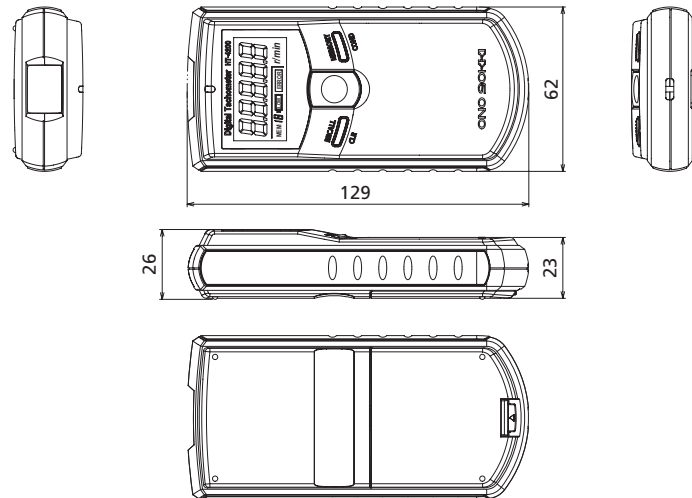
## ● SE-1200 Specifications

Measurement Section			
Measurement resolution	1 r/min		
Measurement ranges	2-cycle	4-cycle	Measurement range (r/min)
		1 cylinder	100 to 20,000
	1 cylinder	2 cylinders	100 to 20,000
		3 cylinders	100 to 20,000
	2 cylinders	4 cylinders	100 to 20,000
		5 cylinders	100 to 20,000
	3 cylinders	6 cylinders	100 to 20,000
	4 cylinders	8 cylinders	100 to 15,000
		12 cylinders	100 to 10,000
Measurement accuracy	100 to 12,499 r/min $\pm 1$ r/min 12,500 to 20,000 r/min $\pm 2$ r/min		
Over-range display	If the measured value exceeds the measurement range, the maximum value for that range is displayed together with an "ERROR" mark on the display unit.		
Detection Section			
Applicable engines	Gasoline engines		
Detection method	Detection of electrical ignition pulse from the spark plug		
Detection distance	30 to 200 mm		
Target object of detection	High-tension cords (spark-plug cords)		

Display Section	
Display unit	LCD, 5-digit
Character height	10.5 mm
Display refresh time	1 s, automatic update (2 s when the sensor signal exceeds 1 s)
General Specifications	
Power source	Three AAA-type batteries
Continuous measurement time	Approx. 100 hours (when alkaline batteries are being used at a temperature of 20 °C.)
Low battery display	The "LOW" mark lights when the battery voltage drops below 3.3 V.
Operating temperature range	0 to +40 °C
Storage temperature range	-10 to +60 °C
Outer dimensions	129 mm x 62 mm x 26 mm
Weight	Approx. 90 g (excluding batteries)
Accessories	
AAA-type batteries	3 pieces
Instruction manual	1 copy

## ● External drawing

(Unit: mm)



**ONOSOKKI**

\* Outer appearance and specifications are subject to change without prior notice.

URL: <http://www.onosokki.co.jp/English/english.htm>

**U.S.A**  
Ono Sokki Technology Inc.  
2171 Executive Drive, Suite 400  
Addison, IL. 60101 U.S.A  
Phone : 630-627-9700  
Fax : 630-627-0004  
E-mail : [info@onosokki.net](mailto:info@onosokki.net)  
<http://www.onosokki.net>

**THAILAND**  
Ono Sokki (Thailand) Co., Ltd.  
29/67 Moo 5 Tivanon Road, Pakkred,  
Nonthaburi 11120, Thailand  
Phone : 02-964-3884  
Fax : 02-964-3887  
E-mail : [osth\\_sales@onosokki.co.jp](mailto:osth_sales@onosokki.co.jp)

**P.R.CHINA**  
Ono Sokki Beijing Office  
Beijing Jing Guang Center 3510  
Hu Jia Lou, Chao Yang Qu  
Beijing 100020, P.R.China  
Phone : 010-6597-3113  
Fax : 010-6597-3114  
E-mail : [onosokki@public.bta.net.cn](mailto:onosokki@public.bta.net.cn)

**WORLDWIDE**  
Ono Sokki Co., Ltd.  
1-16-1 Hakusan, Midori-ku, Yokohama  
226-8507, Japan  
Phone : 045-935-3976  
Fax : 045-930-1906  
E-mail : [overseas@onosokki.co.jp](mailto:overseas@onosokki.co.jp)